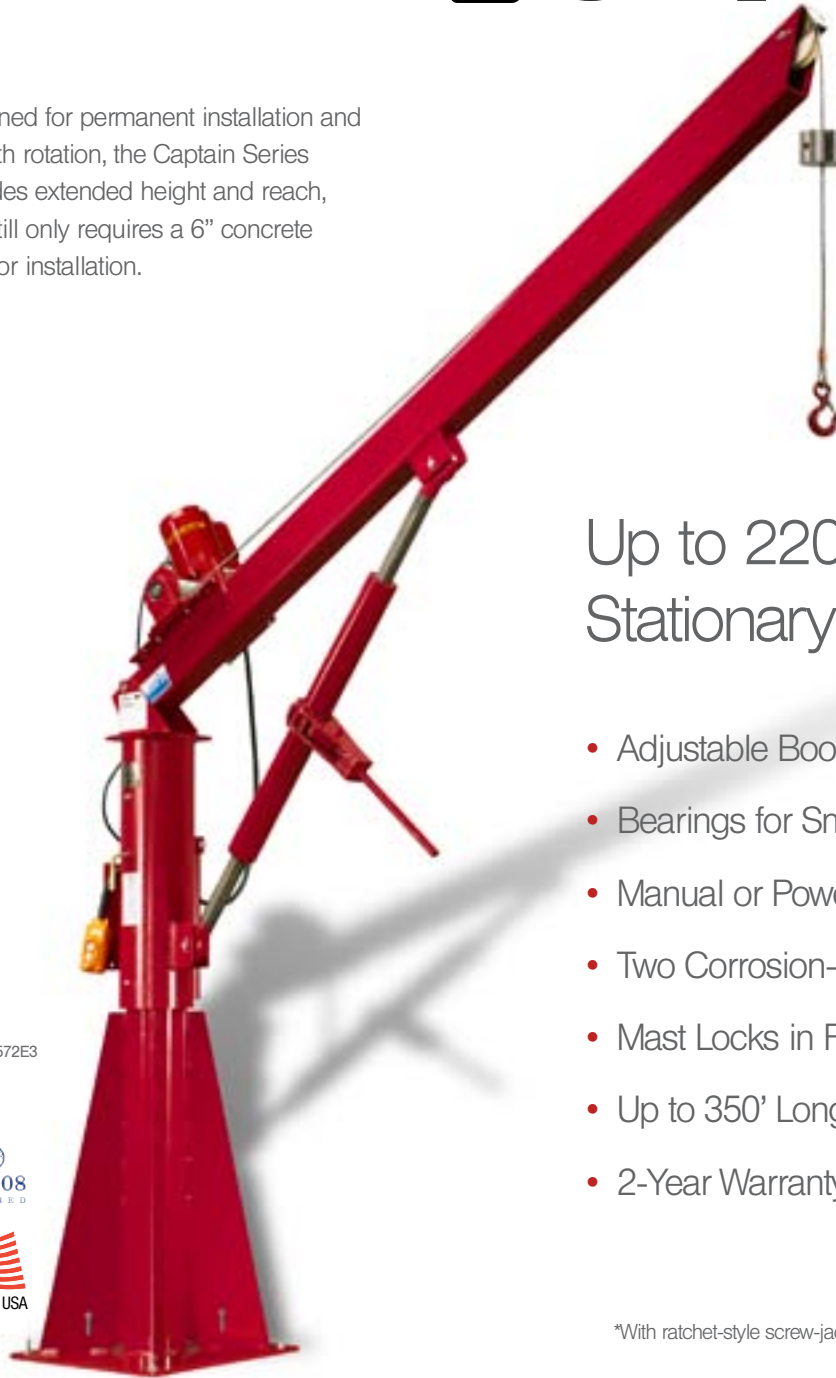


571 | 572

CAPTAIN SERIES

Designed for permanent installation and smooth rotation, the Captain Series provides extended height and reach, and still only requires a 6" concrete floor for installation.



Model 572E3

ISO
9001:2008
REGISTERED



Up to 2200 lb Capacity Stationary Davit Cranes

- Adjustable Boom Angle*
- Bearings for Smooth 360° Rotation
- Manual or Power Winch Operation
- Two Corrosion-Resistant Finishes
- Mast Locks in Four Positions
- Up to 350' Long Lift Capability
- 2-Year Warranty

*With ratchet-style screw-jack option



LEAVE THE HEAVY LIFTING TO US

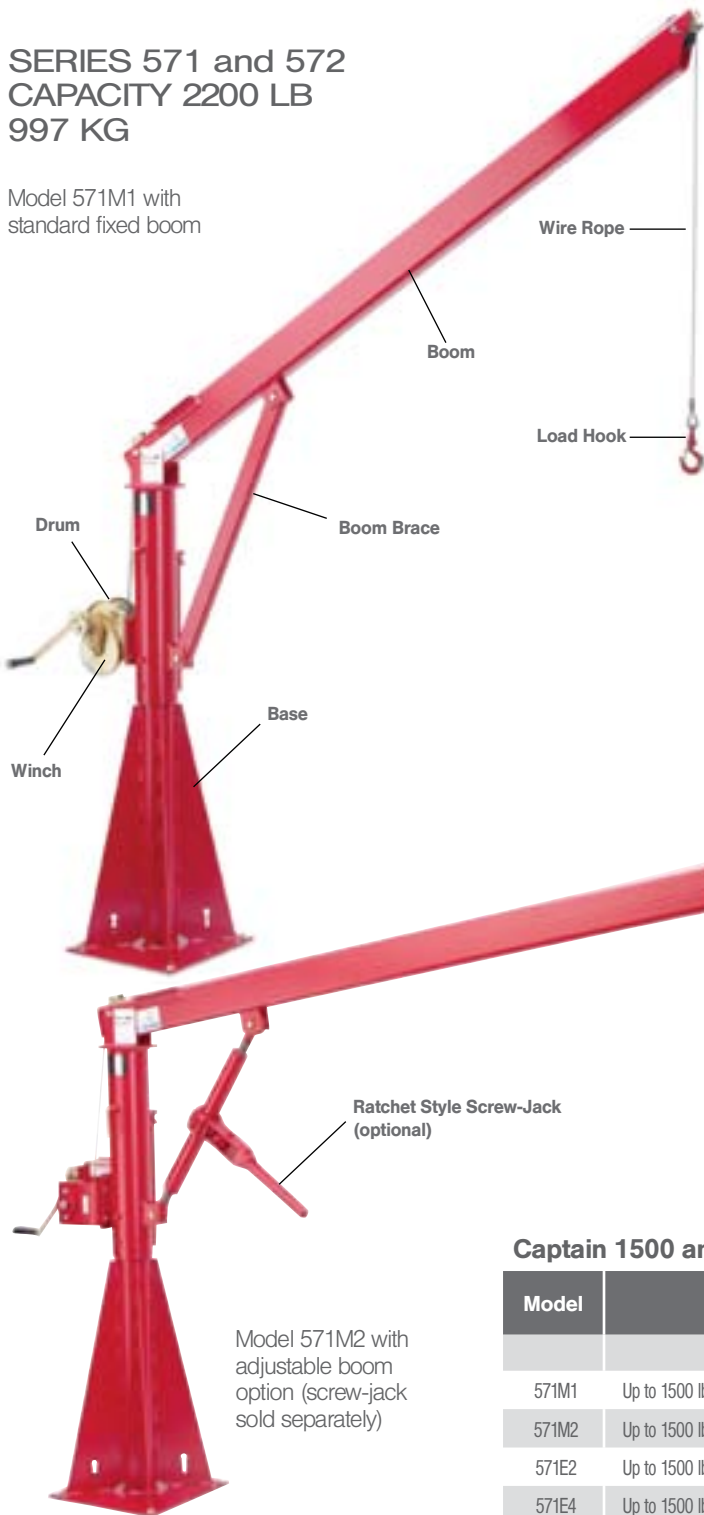
HAND / POWER / HYDRAULIC / AIR WINCHES • DAVIT CRANES

Winona, MN USA | www.thern.com

CONFIGURATIONS

SERIES 571 and 572
CAPACITY 2200 LB
997 KG

Model 571M1 with
standard fixed boom



Model 571M2 with
adjustable boom
option (screw-jack
sold separately)



Stationary Davit Cranes

Hand or Power Winch Operation
Up to 2200 lb capacity

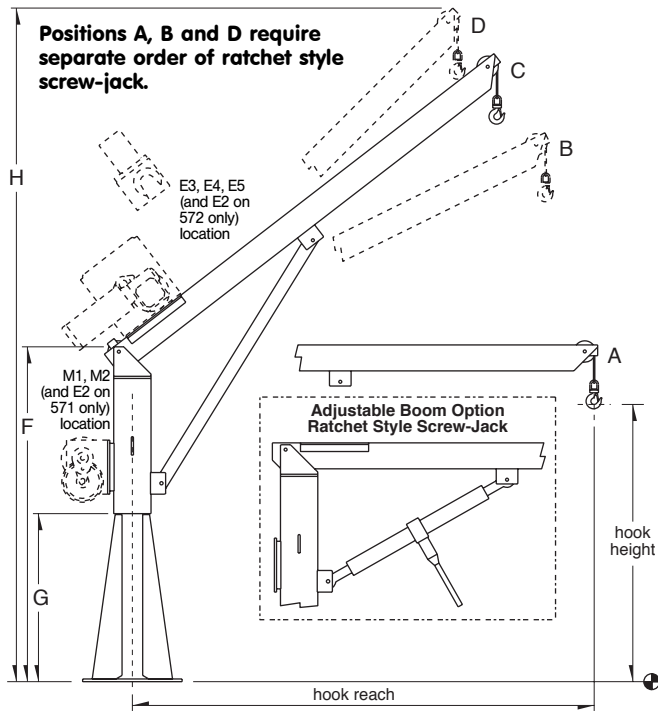
- **Hand Winch Operated Models** include spur gear or worm gear hand winch with brake for load control. Model 571M2 can be drill driven, 300 rpm max.
- **Power Winch Operated Models** include 115 volt 1 phase AC electric winch with pendant control and brake. Other power options available, please contact factory.
- **Fixed Boom** – Boom Position C.
- **Adjustable Boom Option** – adjusts between Boom Position A and D – with hand operated ratchet style screw-jack, used to adjust height and reach. Optional screw-jack sold separately.
- **Mast and Boom Rotate** on tapered roller bearings for smooth 360° load movement. Mast locks in one of four position with hand tightened lock bolt. Handle on the mast makes rotation easy.
- **Gusset Style Base** for permanent installation and stability under load.
- **Epoxy Finish** available for improved protection against corrosion.
- **Wire Rope Assemblies** sold separately. See tables on following pages.
- **Two-year Limited Warranty**

Captain 1500 and Captain 2200 – Crane Configurations and Options

Model	Description	Approx. Ship Weight	
		(lb)	(kg)
571M1	Up to 1500 lb – with M4312PB-K spur gear hand winch	425	193
571M2	Up to 1500 lb – with 4WM2V-K worm gear hand winch	450	205
571E2	Up to 1500 lb – with 4WP2-K electric winch – 115 VAC, 1 phase, 6 ft pendant control	475	216
571E4	Up to 1500 lb – with 4777-K electric winch – 115 VAC, 1 phase, 6 ft pendant control	489	222
572M1	Up to 2200 lb – with M452B-K spur gear hand winch	720	327
572E2	Up to 2200 lb – with 3WG4B-K electric winch – 115 VAC, 1 phase, 6 ft pendant control	970	440
572E3	Up to 2000 lb – with 4771-K electric winch – 115 VAC, 1 phase, 6 ft pendant control	750	341
572E5	Up to 2200 lb – with 4WS3M6-K electric winch – 115 VAC, 1 phase, 6 ft pendant control *	1050	477
SJ1	Ratchet style screw-jack for Series 571 (replaces standard boom brace)	37	17
SJ2	Ratchet style screw-jack for Series 572 (replaces standard boom brace)	97	44

* Other configurations also available. Please contact factory or nearest Tern Distributor for firm fixed price and delivery.

DIMENSIONS



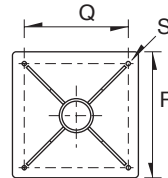
Crane Dimensions

	Series 571		Series 572	
	(in)	(mm)	(in)	(mm)
F	67.19	1706.6	77.41	1966.2
G	32.88	835.1	38.62	980.9
H	131.19	3332.2	155.75	3956.0
Q	16.00	406.4	20.00	508
R	18.00	457.2	23.00	584.2
S (hole dia.)	.56	14.2	.81	20.5

Dimensions are for reference only and subject to change without notice.

IMPORTANT:

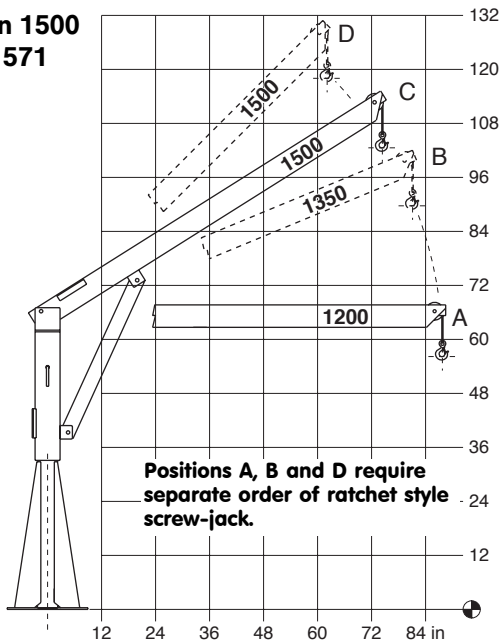
Load rating will vary with wire rope length and boom position. Please see Performance Characteristics table on the following page.



IMPORTANT:

It is the owner or operator's responsibility to determine the suitability of the equipment to its intended use. Study all applicable codes, manuals and regulations. Be sure to read the Owner's Manual supplied with the equipment before operating it.

Captain 1500 Series 571



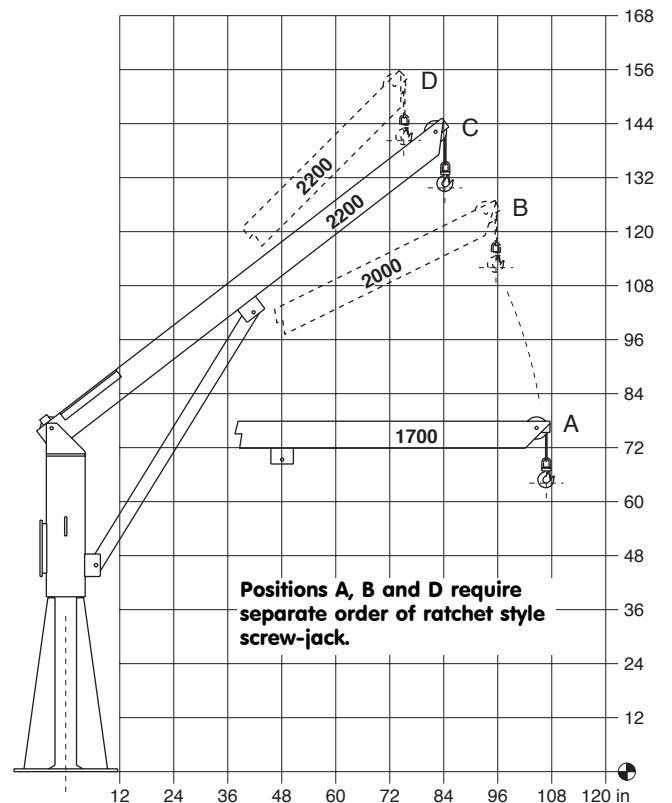
Hook Reach and Height

Series	Boom Position	Hook Reach		Hook Height	
		(in)	(mm)	(in)	(mm)
571	A ¹	87.88	2232.1	56.00	1422.4
	B ¹	81.25	2063.7	90.00	2286
	C (fixed)	74.56	1893.8	102.00	2590.8
	D ¹	62.25	1581.1	118.00	2997.2
572	A ¹	106.75	2711.4	64.00	1625.6
	B ¹	95.50	2425.7	112.00	2844.8
	C (fixed)	84.25	2139.9	130.00	3302
	D ¹	75.00	1905	140.00	3556

Dimensions are for reference only and subject to change without notice.

¹ Boom position requires purchasing the screw-jack option.

Captain 2200 Series 572



IMPORTANT:

Base installation is purchaser's responsibility. Thern recommends consulting a civil engineer or other qualified professional.

PERFORMANCE

WIRE ROPE ASSEMBLIES - sold separately

■ Galvanized or Stainless Steel wire rope assemblies.

Wire Rope Assemblies

Model Number	Wire Rope Diameter x Length	Approx. Ship Weight	
		(lb)	(kg)
Galvanized aircraft cable with swivel hook and swaged ball fitting.			
WA25-28NS	1/4 in x 28 ft	5	2.3
WA25-36NS	1/4 in x 36 ft	6	2.7
WA25-45NS	1/4 in x 45 ft	7	3.2
WA25-60NS	1/4 in x 60 ft	9	4.1
WA25-75NS	1/4 in x 75 ft	11	5.0
304 Stainless steel wire rope with SS eye hook and swaged ball fitting. Swivel hook also available. Please call factory.			
WS25-28NS	1/4 in x 28 ft	5	2.3
WS25-36NS	1/4 in x 36 ft	6	2.7
WS25-45NS	1/4 in x 45 ft	7	3.2
WS25-60NS	1/4 in x 60 ft	8	3.6
WS25-75NS	1/4 in x 75 ft	11	5.0
Galvanized aircraft cable with swivel hook and unfinished end.			
WA31-28DS	5/16 in x 28 ft	7	3.2
WA31-36DS	5/16 in x 36 ft	8	3.6
WA31-45DS	5/16 in x 45 ft	10	4.5
WA31-60DS	5/16 in x 60 ft	12	5.4
WA31-75DS	5/16 in x 75 ft	15	6.8
304 Stainless steel wire rope with SS eye hook and unfinished end. Swivel hook also available. Please call factory.			
WS31-28DS	5/16 in x 28 ft	7	3.2
WS31-36DS	5/16 in x 36 ft	9	4.1
WS31-45DS	5/16 in x 45 ft	11	5.0
WS31-60DS	5/16 in x 60 ft	14	6.4
WS31-75DS	5/16 in x 75 ft	17	7.7

Please contact factory or nearest Them Distributor for firm, fixed price and delivery.

Captain 1500 Performance Characteristics

Wire Rope				Load Ratings for 571M1, 571M2 and 571E2								Load Ratings for 571E4 ¹								Lift Below Floor Level ²			
Dia.		Length		Pos A		Pos B		Pos C		Pos D		Pos A		Pos B		Pos C		Pos D		Min		Max	
(in)	(mm)	(ft)	(m)	(lb)	(kg)	(lb)	(kg)	(lb)	(kg)	(lb)	(kg)	(lb)	(kg)	(lb)	(kg)	(lb)	(kg)	(lb)	(kg)	(ft)	(m)	(ft)	(m)
1/4	6.35	28	8.53	1200	544	1350	612	1500	680	1500	680	1200	544	1350	612	1500	680	1500	680	4	1.21	9	2.74
1/4	6.35	36	10.97	1200	544	1350	612	1500	680	1500	680	1200	544	1350	612	1500	680	1500	680	12	3.65	17	5.18
1/4	6.35	45	13.71	1200	544	1350	612	1400	635	1400	635	1200	544	1350	612	1500	680	1500	680	21	6.40	26	7.92
1/4	6.35	60	18.28	1200	544	1300	589	1300	589	1300	589	1200	544	1350	612	1400	635	1400	635	36	10.97	41	12.49
1/4	6.35	75	22.86	-	-	-	-	-	-	-	-	1200	544	1300	589	1300	589	1300	589	51	15.54	56	17.06

¹ Add 2 feet to lift below floor level for Model 571E4.

² Lift below floor level varies depending on boom position and winch configuration. For longer lifts, contact factory.

Captain 2200 Performance Characteristics

Wire Rope				Load Ratings for 572M1, 572E2 and 572E5 ¹								Load Ratings for 572E3 ¹								Lift Below Floor Level ²			
Dia.		Length		Pos A		Pos B		Pos C		Pos D		Pos A		Pos B		Pos C		Pos D		Min		Max	
(in)	(mm)	(ft)	(m)	(lb)	(kg)	(lb)	(kg)	(lb)	(kg)	(lb)	(kg)	(lb)	(kg)	(lb)	(kg)	(lb)	(kg)	(lb)	(kg)	(ft)	(m)	(ft)	(m)
5/16	7.93	28	8.53	1700	771	2000	907	2200	997	2200	997	1700	771	1700	771	1700	771	1700	771	<1	<0.30	5	1.52
5/16	7.93	36	10.97	1700	771	2000	907	2200	997	2200	997	1700	771	1700	771	1700	771	1700	771	7	2.13	13	3.96
5/16	7.93	45	13.71	1700	771	2000	907	2200	997	2200	997	1500	680	1500	680	1500	680	1500	680	16	4.87	22	6.70
5/16	7.93	60	18.28	1700	771	2000	907	2200	997	2200	997	1300	589	1300	589	1300	589	1300	589	31	9.44	37	11.27
5/16	7.93	75	22.86	1700	771	2000	907	2200	997	2200	997	1300	589	1300	589	1300	589	1300	589	46	14.02	52	15.84

¹ Add 3 feet to lift below floor level for Model 572E2, 572E3 and 572E5.

² Lift below floor level varies depending on boom position and winch configuration. For longer lifts, contact factory.

IMPORTANT:

It is the owner or operator's responsibility to determine the suitability of the equipment to its intended use. Study all applicable codes, manuals and regulations. Be sure to read the Owner's Manual supplied with the equipment before operating it.

Positions A, B and D require separate order of ratchet style screw-jack.

